

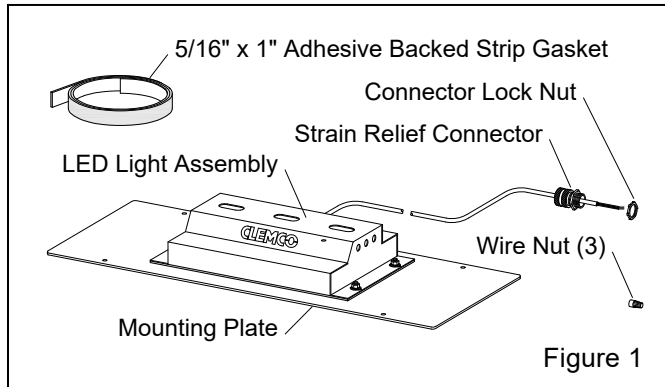


FLUORESCENT TO LED SINGLE-LIGHT RETROFIT ASSEMBLY O.M. 29740

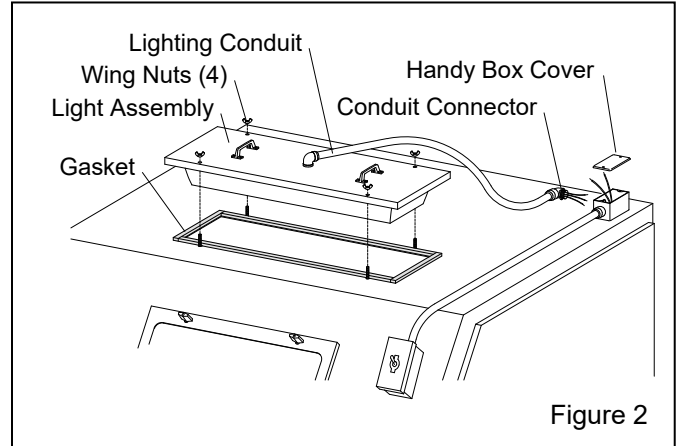
1.0 INTRODUCTION

1.1 These instructions cover the installation and replacement parts for the LED cabinet-light retrofit kit.

1.2 Components of the kit are shown in Figure 1. Where possible, all components are preassembled for easy installation.



the LED mounting plate. Use the handles to lift the fixture off the cabinet, as shown in Figure 2.



2.0 REMOVE FLUORESCENT LIGHT FIXTURE Figure 2

⚠ WARNING

Use an approved stepladder when servicing the light assembly. Do not climb on top of the cabinet. The cabinet top will not support the weight of a person. Failure can result in injury and property damage.

2.1 Shut OFF electrical power; lockout and tagout the power supply.

2.2 Trace the lighting conduit to the handy box and remove the handy box cover.

2.3 Remove the white, red, and green wires coming from the lighting conduit from their connections within the handy box. New wire nuts are included with the kit.

2.4 Remove the lock nut (within the handy box) from the lighting conduit and remove the conduit connector from the handy box.

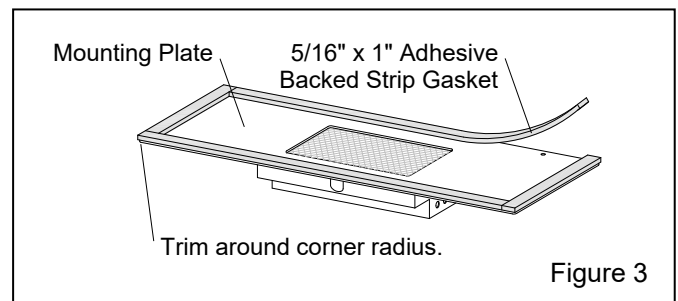
2.5 Remove the four wing nuts holding the light fixture to the cabinet; the wing nuts will be reused to assemble

2.6 Remove all the old gasket material and clean the surface of the cabinet.

3.0 INSTALL LED LIGHT ASSEMBLY

3.1 Place the LED assembly on a clean padded surface, with the mounting plate facing up, as shown in Figure 3.

3.2 Lay a section of strip gasket along the edge of the mounting plate and cut to length. Peel a short section of backing from the strip and adhere the strip gasket to the edge of the mounting plate, as shown in Figure 3. Peel additional backing as needed and press the gasket to bond. Repeat the process on each side, compressing the ends to seal.



3.3 Punch an opening through the gasket at each of the four mounting-plate bolt holes.

3.4 If preferred, trim around the corner radius to improve appearance.

3.5 Turn the light assembly over, align the mounting-plate bolt holes with the mounting studs on top of the cabinet, as shown in Figure 4, and lower the assembly into place. **Do not install the wing nuts**; they will be installed later.

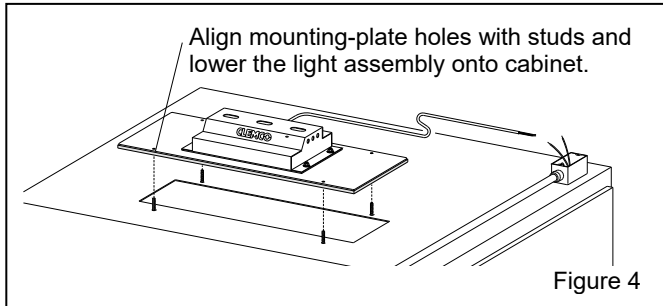


Figure 4

3.6 Loosen the knurled collar on the strain-relief connector and thread the light module power cord into the knurled end of the connector, as shown in Figure 5.

3.7 Feed the cord through the hole in the side of the handy box and pull it through the top of the box.

3.8 Push the threaded end of the strain relief into the box.

3.9 From inside the handy box, place the lock nut over the cord, screw the lock nut onto the strain relief connector, and tighten the nut to secure the connector.

3.10 Pull the cord through the box and strain relief connector, allowing enough slack to lift the light from the mounting stud and flip it over for service.

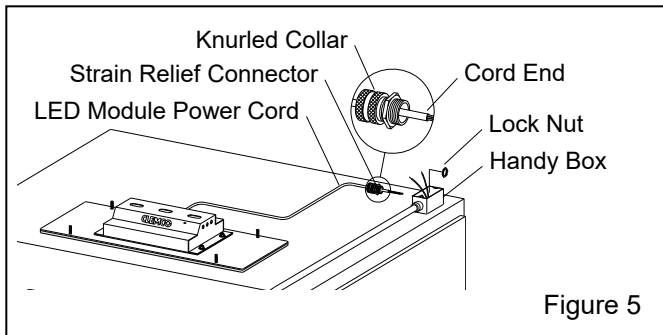


Figure 5

3.11 After confirming the cord is long enough to service the light module, tighten the knurled collar on the strain relief to secure the cord.

3.12 Place the light assembly back onto the top of the cabinet and secure with wing nuts.

4.0 ELECTRICAL CONNECTIONS

4.1 If needed cut the light cord no shorter than the wires in the handy box, leaving it long enough to strip back the wiring and make the electrical connections.

4.2 Connect the wires as follows – Figure 6

- Brown light-module wire to red wire from switch.
- Blue light-module neutral wire to white neutral wire.
- Yellow w/green stripe light-module ground wire to green grounding wires.
- Secure with wire nuts.

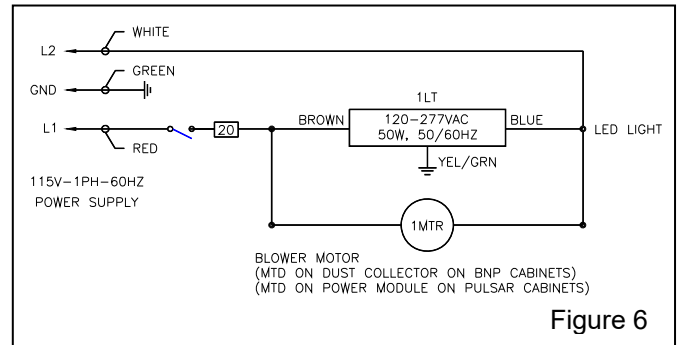


Figure 6

4.3 Turn on the light switch to test the connections.

4.4 When satisfied that the light and motor are working correctly, wrap the wires and wire nuts with electrical tape before installing the handy box cover.

5.0 LED RETROFIT REPLACEMENT PARTS

Figure 7

Item	Description	Stock No.
1.	Cover, LED light mount	29712
2.	LED light module, 50w	29711
3.	Diffuser lens	29713
4.	Gasket, 5/32" x 3/4", 3 ft required.....	00192
5.	Strain relief connector	11631
6.	Lock nut, 1/2" conduit	12713
7.	Gasket 5/16" x 1", 7 ft required	00187

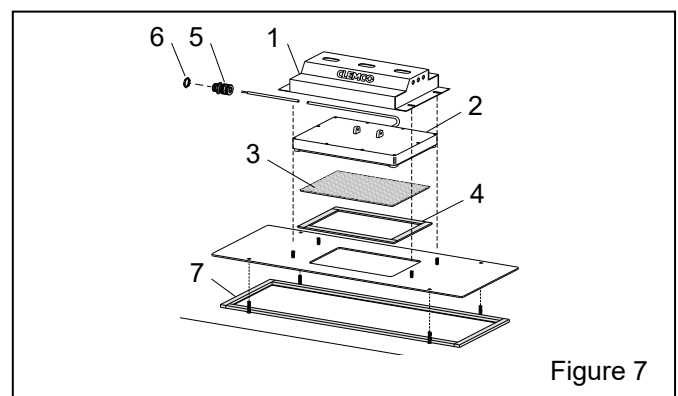


Figure 7