



# CLEMCO®

...the performance system.

## TECHNICAL DATA SHEET

*Note: For safe, efficient blasting, read and follow the owner's manual and seek training for everyone who will use this equipment.*

### Description

The Clemco Beacon blast light is a powerful 860-lumen LED light source to illuminate the work surface. Four assemblies are available: 12-volt DC and 120-volt AC models with either 50 ft or 100 ft of power cord.

### Purpose

The Clemco Beacon blast light provides illumination of the work area to improve the visibility of the blast surface for the blast operator and enhance productivity. It is ideal for poorly-lit areas or where natural light is absent.

### Requirements for Operation

120-volt AC or 12-volt DC power source.

### Description of Operation

The light module mounts either to the blast nozzle holder or to the blast hose, secured with cable ties. The rugged, cut resistant 18-gauge cable is tied along the length of the blast hose. A quick-change assembly allows easy lens replacement when abrasive rebound frosts the durable Pyrex® lens.

### Advantages

- Illuminated target surface improves blast operator productivity
- Extremely bright focused LED beam provides 6000k color temperature (similar to daylight on a sunny day)
- Unit is compact, lightweight, and rugged—perfect for brutal abrasive blast environments
- Mounts to nozzle holder or blast hose
- Quick-change twist-lock lens retainer allows easy removal and replacement of the Pyrex® lens

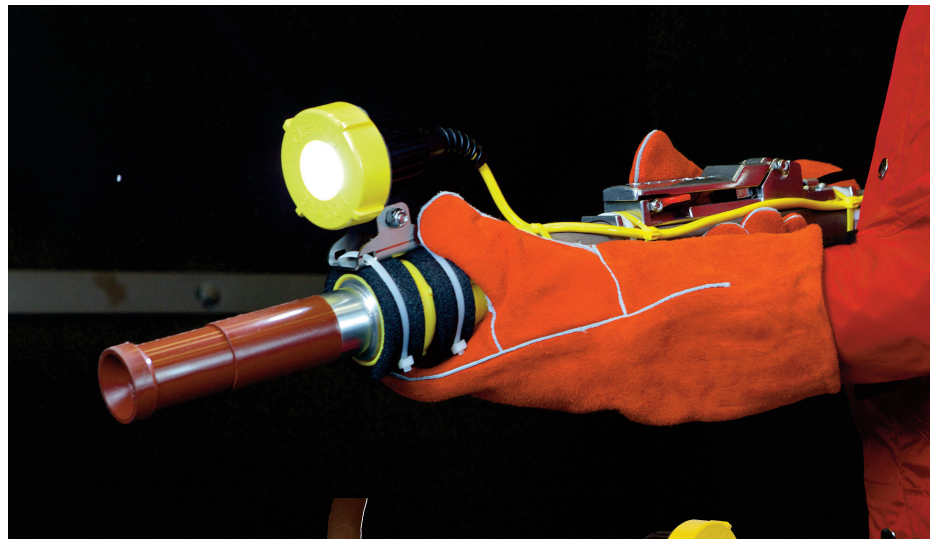
# CLEMCO® BEACON LED Blast Light

Stock Nos.

27740 — 27743



120-volt AC blast light  
(complete cable not shown)



Beacon LED Blast Light



12-volt DC blast light  
(complete cable not shown)

### Features

- Beam capable of penetrating up to 280 feet
- Ultra-compact size at just 2 7/8"OD x 4"H x 3"D
- Encased in durable, lightweight aluminum housing with abrasive-resistant nylon lens adaptor
- Integrated pulse width modulation controller provides protection against voltage spikes and maximizes the light's duty cycle in terms of heat management
- Cree XLamp MC-E® LED is shock- and vibration-resistant
- Easily replaceable Pyrex® lens

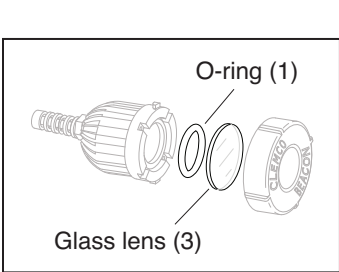
# Specifications

Lamp Type: Cree XLamp MC-E® LED  
 Lumens (raw): 860  
 Dimensions: 2 7/8"OD x 4"H x 3"D  
 Watts : 10  
 LED Drive % : 90%  
 Voltage : 12-volt DC or 120-volt AC  
 Beam spread: 20-degrees spot

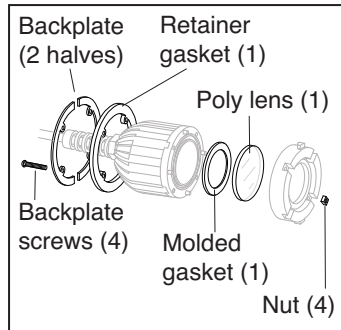
Amps: 1 amp  
 LED Light Color: 6000k  
 LED Life Expectancy: 50,000 hours  
 Optics Efficiency: 90%  
 Materials: aluminum housing, polycarbonate inner lens,  
 borosilicate outer lens  
 Weight/light module: 0.8 lbs

## Ordering Information

Description	Stock No.	Wt.
12-V DC blast light		
with 50-ft cable .....	27740	2.85 lbs
with 100-ft cable .....	27741	4.3 lbs
120-V AC blast light		
with 50-ft cable .....	27742	3.95 lbs
with 100-ft cable .....	27743	5.4 lbs

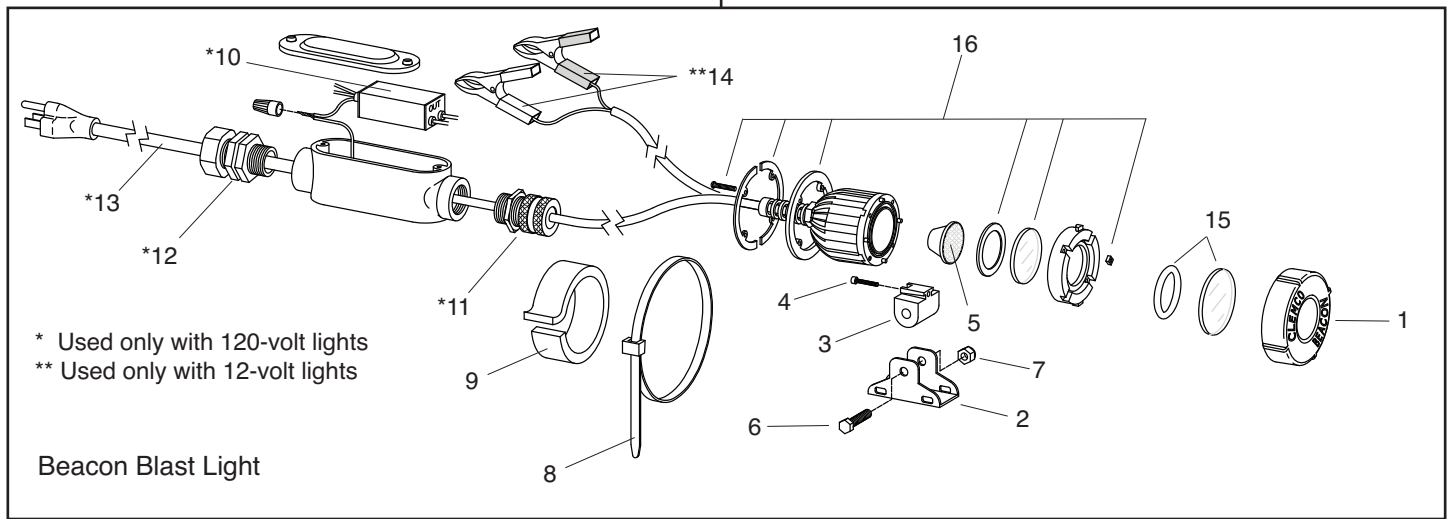


Glass outer lens kit — 28163



Poly inner lens kit — 28164

Item	Description	Stock No.	Wt.
1.	Retainer, outer lens.....	27748	<.5
2.	Bracket, mounting.....	27751	<.5
3.	Mount, light.....	28161	<.5
4.	Screw, light mount.....	28162	<.5
5.	Diffuser .....	28160	<.5
6.	Screw, 1/4-NC x 1.5" hex head cap .....	03055	<.5
7.	Nut, 1/4-NC lock .....	03112	<.5
8.	Ties, 14.5" long, nylon (pack of 2).....	02395	<.5
9.	Gasket, 5/32" x 3/4" adhesive backed, by foot, specify length .....	00187	<.5
10.	*Driver, 120-V to 12-V LED.....	27758	<.5
11.	*Strain relief, 3/4-NPT x 1/4" cable.....	27756	<.5
12.	*Strain relief, 3/4-NPT x 3/8" to 5/8" cable .....	27757	<.5
13.	*Cord, 4-ft 120-V power .....	27766	<.5
14.	**Clamp set, 12 volt battery .....	27763	<.5
15.	Service kit, glass outer lens [o-ring (1), glass lens (3)] .....	28163	<.5
16.	Service kit, poly inner lens [backplate screws (4), backplate (2 halves), retainer gasket (1), molded gasket (1), poly lens (1), backplate nuts (4)] .....	28164	<.5



\* Used only with 120-volt lights  
 \*\* Used only with 12-volt lights

Beacon Blast Light

### Related Clemco Literature

Operation Manual.....	27765
Blast Off 2	
English .....	09294
Spanish.....	23398
Abrasive Safety Practices	
English .....	22090
Spanish.....	22931

Distributed by:

ISO 9001 certified. Clemco is committed to continuous product improvement. Specifications are subject to change without notice.

© 2014 Clemco Industries Corp. • One Cable Car Drive • Washington, MO 63090 • Phone (636) 239-4300 • Fax (800) 726-7559