



Pulsar® VI-PE



Model Pulsar® VI-PE Ergonomic high-production pressure-blast cabinet

The ZERO Pulsar® VI-PE is a high-production, ergonomic blast cabinet designed specifically to enhance productivity and efficiency by offering a safe and comfortable work station for production blast operators. The Pulsar® VI-PE makes long production runs much easier by allowing workers to concentrate on achieving the desired surface treatment rather than on their physical discomfort due to long periods of standing.

Pulsar® VI-PE Pressure Cabinet Features:

Safety

- Door interlock system interrupts blasting when either door is open
- Optional time-delay door locking system keeps doors locked after blasting stops
- Double-wall, insulated doors, reduce exterior noise
- Industrial-quality lift-off hinges allow easy door removal
- Full-opening doors maximize work chamber capacity and ease loading large parts
- Full-length, neoprene-on-fabric gloves protect operator
- Ceiling light fixture maximizes window view area and offers commanding view of interior

Productivity

- Unique air logic system maximizes air and media flow for blasting
- ASME-code pressure vessel, 1.0 cu ft capacity, with 1/2" piping
- Industrial-quality, coupled two-braid blast hose and tungsten carbide nozzle
- Reverse-pulse cartridge dust collector evacuates spent media and ensures optimal visibility for blasting; traps 99.7% of dust down to 0.5 micron
- Adjustable chrome latches seal doors tight through years of service

Convenience

- Tilt-out window allows tool-free glass changes in minutes
- Easy-to-reach pressure regulator, gauge, and electric switch
- Built-in air gun allows work piece blow-off inside cabinet

**Clean
Peen
Deburr
Finish
Prep Surfaces**



Tungsten Carbide Blast Nozzle

The system comes with a 3/16" orifice a Tungsten Carbide pressure blast nozzle, which consumes 38 cfm of compressed air when blasting at 80 psi. The nozzle's long-wearing properties ensure hundreds of hours of service with glass bead media.

Popular Accessories

- Air-powered Vertical Lift Doors
- Alox Kit for Use with Harsh Media
- Dust Collector Auto-pulse Kit
- HEPA Filter
- Pass-through Doors
- Rubber Wall Curtains
- Steel Media Kit
- Time-delay Door Locks
- Turntable & Track Assembly

Common Applications

- Cleaning parts
- Deburring machined parts
- Stripping paint
- Improving surface finish
- Removing carbon build up
- Removing heat scale

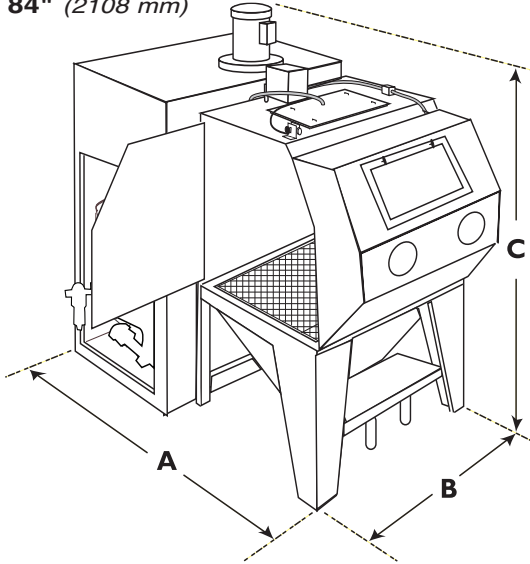
S P E C I F I C A T I O N S

COMPLETE SYSTEM

Actual space requirements depend on desired work flow. Allow additional work space for operator and maintenance.

Pulsar® VI-PE

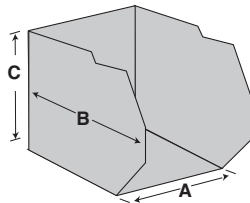
- A. 83" (2057 mm)
- B. 55" (1397 mm)
- C. 84" (2108 mm)



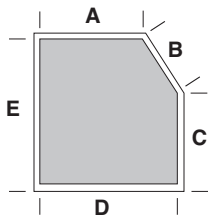
CABINET

Working Chamber Size

- A. 50" wide (1270 mm)
- B. 39" deep (991 mm)
plus 12 1/2-inch
glove-box extension area
- C. 43" high (1092 mm)



Door Opening



- A. 27" (686 mm)
- B. 20.5" (521 mm)
- C. 19.5" (495 mm)
- D. 36.5" (927 mm)
- E. 38" (965 mm)

Electrical

1HP, 115V, 1PH, 60HZ,
(.75KW, 220V, 1PH, 50HZ)
Some installations may require
electrical connection
by a qualified electrician.

Window Size (safety glass)

19.5" wide (495 mm)
12.5" high (318 mm)

Model Pulsar® VI-PE System Description

Heavy-duty 14-gauge cabinet shell, all-welded construction; 12.5" x 19.5" safety-glass view window; fluorescent lighting with dual 20-watt tubes; heavy-duty industrial-quality adjustable chrome latches; unique air-logic system to maximize efficient use of compressed air, provides optimal media reclamation and dust collection; cabinet-mounted reverse-pulse dust collector with 1 HP motor and 195 square feet of filter area; compressed-air filter; pressure regulator; easily removable dust drum for material disposal; 1.0 cu ft capacity ASME-code pressure vessel.

PRESSURE BLAST AIR REQUIREMENTS

NOZZLE	NOZZLE ORIFICE	CFM at 80 PSI	M ³ /Min at 5,5 BAR	CFM at 100 PSI	M ³ /Min at 7 BAR
No. 2	1/8"	17	0,5	20	0,6
No. 3	3/16"	38	1,08	45	1,3
No. 4	1/4"	68	1,93	81	2,3
No. 5	5/16"	113	3,20	137	4,0

Reclaimer Flow Rate

Pulsar® VI-PE: Nominal 600 cfm

DUST COLLECTOR

Reverse-pulse cartridge dust collector (which traps 99.7% of dust down to 0.5 micron) allows non-stop, high-production blasting. The polyester-cellulose cartridge is pulse cleaned each time the pedal is pressed and released for maximum filter efficiency. A dust collector auto-pulse kit is available as an option. Worn cartridge can be replaced in minutes.

Filtering Area

Pulsar® VI-PE 195 ft² (18,1m²)

Dust concentration in exhausted air is nominally 5.0 mg/m³.

For especially dust sensitive work environments, order the optional HEPA filter.

ORDERING INFORMATION

Model	Stock No.	Shipping Weight	
		lb	kg
Pulsar® VI-PE	24853	1550	(704)

Distributed By:

Clemco is committed to continuous product improvement. Specifications are subject to change without notice.

ISO 9001:2008 certified.

© 2013 Clemco Industries Corp. • One Cable Car Drive • Washington, MO 63090 • (636) 239-4300 • FAX (800) 726-7559

Stock No.: 27546

info@www.clemcoindustries.com • www.clemcoindustries.com

05/13