



CLEMCO
The Performance
System

TECHNICAL DATA SHEET

Note: For safe, efficient blasting, read and follow the owner's manual and seek training for everyone who will use this equipment.

Purpose

The Apollo 20 LP is designed for use with an ambient air pump. It meets OSHA standards for respiratory protection and noise limitations. The Apollo 20's full-helmet design and heavy-duty cape protect the blast operator's head, neck, shoulders, and chest from rebounding abrasive.

Requirements for Operation

The following items are required or recommended for operation, but may not be included with this respirator:

- An ambient air pump approved for use with respirators, capable of delivering 7 to 15 cfm of air at 8 to 12 psi.
NOTE: Output from the ambient air pump must meet the standard for Grade D breathing air, as defined by the Compressed Gas Association, Commodity Specification: G-7.1 (www.cganet.com)
- NIOSH approved 1/2-inch ID x 50 or 100 feet of respirator hose from the ambient air pump to the helmet connection
- Protective clothing, gloves, and shoes suitable for a heavy construction site
- Primary hearing and eye protection

Description of Operation

The Apollo 20 is a single-shell construction helmet supported by an adjustable suspension. The DLX comfort-fit suspension (2 sizes) surrounds the operator's head with comfortable padding. A chin strap holds the helmet firmly in place. The rectangular window provides a clear field of view. An inner fixed lens and one middle lens seal out dust and abrasive.

Up to three lightweight, disposable outer lenses, held in place by a hinged frame, protect the middle lens from pitting. As the outermost disposable lens becomes pitted, it can be torn off to

Description

The Apollo 20 LP is a type CE, continuous-flow, supplied-air respirator with Constant-flow Connector for abrasive blasting, for use with an ambient air pump. The bright green helmet has a box-front window and a protective cape. The Apollo 20 comes with DLX comfort-fit suspension installed and also with alternate web suspension.



expose the next lens.

The Apollo 20 LP comes with a Constant-flow Connector that provides a fixed flow of air. It is engineered for flow settings as specified by NIOSH.

A flexible breathing tube between the Constant-flow Connector and the helmet allows free movement of the operator's head. This tube contains specially formulated sound-deadening materials that help the respirator comply with 80 dBA maximum noise level while allowing free air flow. For maximum protection while blasting, the operator must wear ear plugs or other suitable hearing protection and safety glasses.

The air enters the helmet at the rear, travels through a sound-attenuating distribution system at the top, and circulates about the operator's face. The incoming air maintains slightly positive pressure inside the helmet, so exhaled air exits via the knit collar. Maintaining positive pressure inside the helmet helps keep out the potentially harmful dust and abrasive.

Apollo 20 LP Supplied-Air Respirator

For use with
ambient-air pump

Advantages

- Requires no compressor or breathing air filter
- DLX comfort-fit suspension installed (alternate web suspension also included)
- Box-front window features economical replacement lenses
- Sound-attenuating, air-distribution channel
- Durable but lightweight construction
- Molded-in carrying handle
- Sized to allow operator to wear supplementary hearing and primary eye protection

Approvals and Certifications

- NIOSH-approved Type CE continuous flow supplied-air respirator
- NIOSH approval no. TC-19C-339
- OSHA Assigned Protection Factor: 1000 x PEL for dust
- ANSI Z89.1-2003 Type 1, Class G protective helmet (hard hat)
- ANSI Z3.19: Noise Reduction Rating (NRR) — 8 dB as secondary hearing protection

NOTE: Prior to use, ensure that the Apollo type CE supplied-air respirator is appropriate for your specific blasting conditions and requirements.

Respirator Systems and Accessories

Item	Description	Stock No.
(-)	Apollo 20 LP DLX w/Constant-flow Connector, without respirator hose	21299
(-)	Apollo 20 LP, DLX w/Constant-flow Connector and 1/2" x 50' respirator hose	21423
(-)	High pressure conversion kit. Converts LP helmet to HP helmet	22690

Options and Accessories

Heavy-duty blast suit (leather front, cotton back)

S	M	L	XL	2XL	3XL
08920	08921	08922	08923	24201	24202

Light-weight seasonal blast suit (nylon front, cotton back)

S	M	L	XL	2XL	3XL	4XL
22913	22914	22915	22916	22917	25022	24689

Leather gloves

CMS-3 in-helmet carbon monoxide monitor/alarm

Noise reduction ear muffs

Ambient Air Pump,

Single-operator, CALIPSO

Four-operator, Stationary, CAP-4

Four-operator, Portable, CAP-4C

Packaging

Respirator

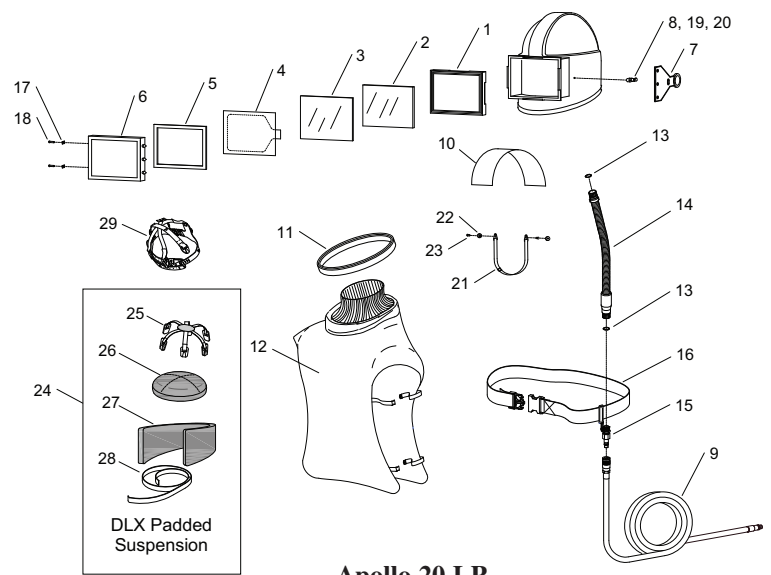
Stock No.	Dimensions	Weight
21299	14-1/2" x 13" x 15"	8 lb

Respirator Hose (Bagged)

Stock No.	Dimensions	Weight
22510	Respirator hose 1/2" x 50ft Approximate 17-1/2" x 17-1/2" x 4"	11 lb
21413	Respirator hose 1/2" x 100ft Approximate 17-1/2" x 17-1/2" x 6"	22 lb

Replacement Parts

Item	Description	Stock No.
1.	Gasket, molded window	99996
2.	Inner lens, 4-5/8" x 6-5/8" nom., .125" package of 5	21409
3.	Middle lens, 5" x 7" nom., .094" package of 5	21410
4.	Cover lens, perforated, .0075" package of 25	21411
5.	Gasket, lens frame	21041
6.	Lens frame	20976
7.	Latch, lens frame, rubber	21298
8.	Button, latch	21040
9.	Respirator hose:	
	1/2" x 50 ft. (standard)	22510
	1/2" x 100 ft. (alternate)	21413
10.	Partition, air channel	21118
11.	Cape attachment strap	10534
12.	Cape with inner collar	21301
13.	O-ring, 7/8" OD, 2 required	22815
14.	Breathing tube assembly, 33" long, includes two of item 13	22811
15.	Constant-flow connector, LP w/o belt	21429
16.	Belt, 2" web with buckle	04430
17.	Nut, lens frame, 2 required	90041
18.	Screw, lens frame, 2 required	90295
19.	Screw, 8-32 x 1/2" for latch, 2 required	21402
20.	Screw, 8-32 x 1" for latch, 2 required	21403
21.	Chin strap	04460
22.	Chin strap holder, 2 required	21696
23.	Screw, 8-32 x 1/2" 2 required	21119
24.	DLX padded suspension kit includes items 25 thru 28	25215
25.	Suspension web	25219
26.	Pad, crown	25182
27.	Pad, side	25218
28.	Hook-fastener tape, 1" adhesive-backed, 2-ft. used, specify feet required	25185
29.	Web suspension w/sweatband (alternate)	10532
(-)	Apollo 20 LP Owner's Manual	21991



Apollo 20 LP

Authorized Distributor:

ISO 9001 certified. Clemco is committed to continuous product improvement. Specifications are subject to change without notice.

© 2014 Clemco Industries Corp. • One Cable Car Drive • Washington, MO 63090 • Phone (636) 239-4300 • Fax (800) 726-7559

Stock No. 21960

www.clemcoindustries.com

Rev. G; 09/14