



★★★★  
MADE IN THE  
USA

# BNP 6012 & 7212 PRESSURE BLAST CABINETS

## EASILY CUSTOMIZED CABINETS THAT OPERATE LIKE MINI BLAST ROOMS

**IMPORTANT:** For safe, efficient blasting, read and follow the operations manual and seek training for everyone who will use this equipment.



***For tough cleaning jobs, pressure blasting delivers higher abrasive velocity for greater impact intensity, compared to suction blasting, and can increase your production rate by as much as 300 percent.***

### SAFETY

- Full-length, neoprene-on-fabric gloves resist wear and protect operator.
- Ceiling-mounted, 100W LED light fixture with abrasive resistant cover for extraordinary visibility.
- Safety interlocks interrupt blasting if either door is opened.
- Heavy-duty, cam-style latch seals doors tight through years of service.

### PRODUCTIVITY

- High efficiency, 2.0 cubic foot capacity, ASME-coded pressure vessel, fitted with 1" ID piping, industrial-quality blast hose and couplings and cabinet integrated controls.
- Unique Air-Logic system (pilot-actuated) to maximize air flow to the nozzle.
- Double-wall, sound-insulated door set.
- 12-gauge steel all-welded construction, with strength breaks to form a rigid, long-lasting cabinet shell.
- Large 20" x 30" view window.

### CONVENIENCE

- Tilt-out window, for tool-free glass changes in minutes.
- Pressure regulator, gauge, and electric switch mounted within easy reach.
- Built-in blow-off gun helps keep dust inside the cabinet, not on your floor.
- Bolt-on sump pipes allow easy replacement for maintenance.

### COMMON APPLICATIONS

- Remove rust, mill scale, heat scale, and carbon buildup from metals
- Strip paint, powder coating, plating, and anodizing from parts for rework
- Eliminate burrs, parting lines, flashings, and other defects from castings and injection-molded parts
- Extract residual sand from castings
- Beautify steel, stainless steel, aluminum, brass and other metals with a uniform matte finish
- Etch artwork and lettering into glass, stone, plastics, metal and other materials
- Clean release agents and material buildup from molds

### POPULAR ACCESSORIES

- Air-powered vertical lift door
- AloX kit (for harsh media)
- Armrest assembly
- Curtains (black or white)
- HEPA filter
- Manometer kit
- Timed door release
- 30", 40, and 48" dia. turntables with or without work car and 9 ft track extension
- Additional operator station
- Additional door set
- Door set moved to opposite side

## COMPLETE SYSTEM

Space required depends on configurations, options and work flow. Allow space for operator and maintenance access.

See maintenance access height (MAH) below.

**Model illustrated:** BNP-6012P, CDC-1 dust collector.

### BNP-6012P

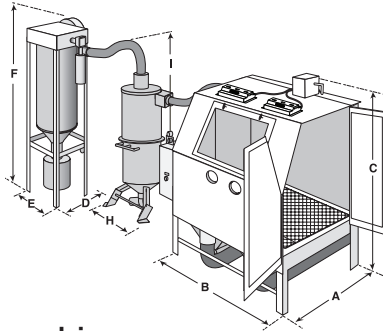
- A - 60" (1524 mm)
- B - 60" (1524 mm)
- C - 81.25" (2064 mm)

### BNP-7212P

- A - 72" (1829 mm)
- B - 72" (1829 mm)
- C - 91.25" (2318 mm)

### CDC-1

- D - 42" (1067 mm)
- E - 34" (864 mm)
- F - 94" (2388 mm)



### Blast machine/900 cfm reclaim

- H - 48" diam. (1219 mm)
- I - 91.25" high (2318 mm)

## CABINET

### Working Chamber

BNP-6012P:

- 58" wide (1473 mm)
- 58.5" deep (1486 mm)
- 53" high (1346 mm)

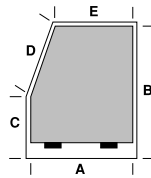
BNP-7212P:

- 69" wide (1753 mm)
- 70.5" deep (1778 mm)
- 63" high (1600 mm)

### Window (safety glass)

- 30" wide (762 mm)
- 20" high (508 mm)

### Door Opening



### BNP-6012P

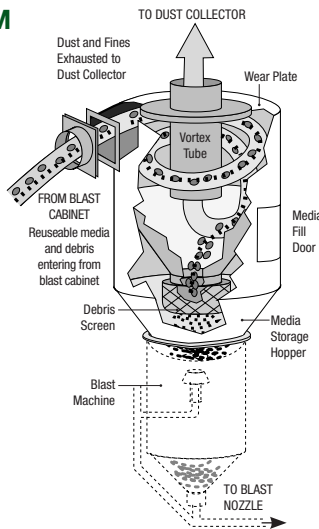
- A - 55.5" (1410 mm)
- B - 52.5" (1333 mm)
- C - 27" (686 mm)
- D - 27" (686 mm)
- E - 46" (1168 mm)

### BNP-7212P

- 67" (1702 mm)
- 63.5" (1613 mm)
- 28" (711 mm)
- 38" (965 mm)
- 54" (1372 mm)

## BLAST RECLAIM SYSTEM

Our exclusive media reclaimers continuously extract dust and debris and return properly sized, usable media to the blast system. The standard reclaimer handles all non-metallic media. For metallic media, choose from the two PM models. The reclaimer, mounted atop the pressure vessel, automatically refills the blast system with clean, recycled media. The versatile design of our larger reclaimers lets you quickly adapt the system to your changing needs.



## TUNGSTEN CARBIDE BLAST NOZZLE

The standard No 3 tungsten carbide nozzle is perfect for most blasting, while the optional boron carbide nozzles stand up to hundreds of hours of blasting with aluminum oxide or other aggressive abrasives.

## NOZZLES (AIR REQUIREMENTS)

Nozzle	Nozzle Orifice	CFM at 80 psi	M <sup>3</sup> /Min at 5,5 BAR	CFM at 100 psi	M <sup>3</sup> /Min at 7 BAR
No. 3	3/16"	38	1,08	45	1,3

BNP 6012P and BNP 7212P come with a No. 3, 3/16" orifice, tungsten carbide nozzle.

## DUST COLLECTORS

**ZERO RP dust collectors trap 99.7% of dust particles down to 0.5 micron.**

**CDC-1:** CDC-1 dust collectors come in three sizes; 300 cfm, 600 cfm, and 900 cfm. The cartridges are pulse-cleaned by pressing the manual pulse valve to clear the filter of dust. Dimensions are 34" wide, 42" deep (with motor housing) and 94" high. The MAH is 11 ft for the 300 and 600 cfm units and 12-1/2 ft for the 900 cfm unit.

**RPH-2 and RPH-3:** The RPH-2 has a filter area of 470 sq ft; the RPH-3 has 705 sq ft filter area. Both have a built-in hopper to minimize dust handling. At each pulse, dust falls first into the hopper and then into a disposal drum or bag beneath it. The operator never handles the dust — an important safety feature. RPH-2 dimensions are: 56" wide (with motor housing) by 36" deep by 115" high. The RPH-3 is: 91" wide (with motor housing) by 48" deep by 143" high. The RPH is designed to allow outdoor installation. The MAH for the RPH collectors is 15 ft 2 inch.

## ELECTRICAL

**900 CFM:** (25 m<sup>3</sup>/m) 2HP, 3PH, 60HZ, (1.5KW, 220V, 3PH, 50HZ)

**1200 CFM:** (34 m<sup>3</sup>/m) 5HP, 3PH, 60HZ, (3.7KW, 220V, 1PH, 50HZ); available with three phase motors only.

## ORDERING INFORMATION

Model #	Reclaim		230V Stock#	460V Stock#	Ship Wt. lb(kg)
	CFM (m <sup>3</sup> /m)	Dust Coll.			
BNP-6012P-900 CDC	900(25)	CDC-1	28394	28395	2,569(1165)
BNP-6012P-900 RPH	900(25)	RPH-2	25485	25486	3,424(1553)
BNP-6012P-1200 RPH	1200(34)	RPH-3	25489	25490	4,115(1867)
BNP-7212P-900 CDC	900(25)	CDC-1	28398	28399	3,125(1417)
BNP-7212P-900 RPH	900(25)	RPH-2	25511	25512	3,980(1805)
BNP-7212P-1200 RPH	1200(34)	RPH-3	25515	25516	5,025(2279)

### Metallic Media Models

BNP-6012PM-1200 RPH	1200(34)	RPH-3	27460	27461	4,115(1867)
BNP-7212PM-1200 RPH	1200(34)	RPH-3	27462	27463	5,025(2279)

**Note:** 1200 cfm reclaim or larger is required for metallic media.



ISO 9001 certified. Clemco is committed to continuous product improvement. Specifications are subject to change without notice. ©2020 Clemco Industries Corp. • One Cable Car Drive • Washington, MO 63090 • Phone: 636.239.4300 • Fax: 800.726.7559