



★★★★  
MADE IN THE  
USA

# BNP 65 PRESSURE BLAST CABINET

EFFICIENTLY AND AFFORDABLY CLEAN, DEBURR, PEEN, OR FINISH PARTS

**IMPORTANT:** For safe, efficient blasting, read and follow the operations manual and seek training for everyone who will use this equipment.



***For tough cleaning jobs, pressure blasting delivers higher abrasive velocity for greater impact intensity, compared to suction blasting, and can increase your production rate by as much as 300 percent.***

## SAFETY

- Full-length, neoprene-on-fabric gloves resist wear and protect operator.
- Ceiling-mounted, 50W LED light fixture with abrasive resistant cover for extraordinary visibility.
- Safety interlocks interrupt blasting if either door is opened.
- Adjustable, heavy-duty chromed latches seal doors tight through years of service.

## PRODUCTIVITY

- High efficiency, 2.0 cubic foot capacity, ASME-coded pressure vessel, fitted with 1" ID piping, industrial-quality blast hose and couplings and cabinet integrated controls.
- Unique Air Logic system (pilot actuated) to maximize air flow to the nozzle.
- Double-wall, sound-insulated doors, with industrial quality lift-off hinges.
- 14-gauge steel all-welded construction, with precisely formed bends, forms a rigid, long-lasting cabinet shell.

## CONVENIENCE

- Tilt-out window, for tool-free glass changes in minutes.
- Pressure regulator, gauge, and electric switch mounted within easy reach.
- Built-in blow-off gun helps keep dust inside the cabinet, not on your floor.

## COMMON APPLICATIONS

- Remove rust, mill scale, heat scale, and carbon buildup from metals.
- Strip paint, powder coating, plating, and anodizing from parts for rework.
- Eliminate burrs, parting lines, flashings, and other defects from castings and injection-molded parts.
- Extract residual sand from castings.
- Beautify steel, stainless steel, aluminum, brass and other metals with a uniform matte finish.
- Etch artwork and lettering into glass, stone, plastics, metal and other materials.
- Clean release agents and material buildup from molds.

## POPULAR ACCESSORIES

- Adjustable gun mount
- Adjustable vortex tube
- Air-powered vertical lift door
- Alox kit (for harsh media)
- Anti-fatigue mat
- Arm rest assembly
- Curtains (black or white)
- HEPA filter
- Manometer kit
- Noise reduction arm port baffles
- Timed door release
- 20" and 30" dia. turntables with or without work car and 8 foot track extension

## COMPLETE SYSTEM

Space required depends on configurations, options and work flow. Allow space for operator and maintenance access. See maintenance access height (MAH) below.

**Model illustrated:** BNP-65P-600 CDC-1

### BNP-65P

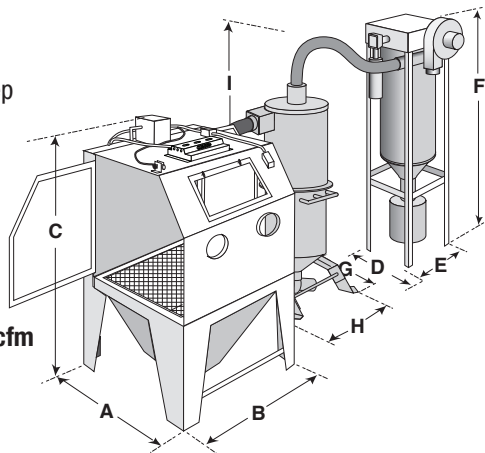
- A - 36.5" deep
- B - 42" wide
- C - 79" high

### CDC-1

- D - 42" deep
- E - 34" wide
- F - 94" high

### BM and 600 cfm Reclaimer

- G - 39" deep
- H - 37" wide
- I - 79" high



## CABINET

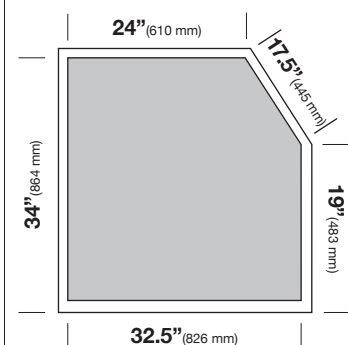
### Working Chamber

- 36" wide (914 mm)
- 35" deep (889 mm)
- 37" high (940 mm)

### Window (safety glass)

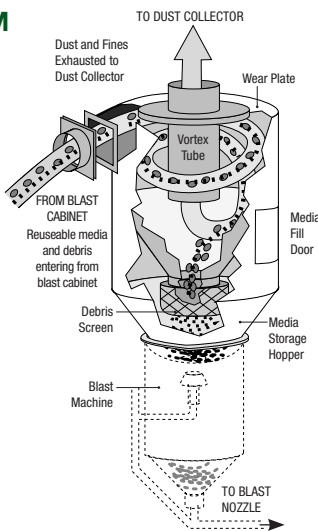
- 19.5" wide (495 mm)
- 12.5" high (317 mm)

### Door Opening



## BLAST RECLAIM SYSTEM

Our exclusive media reclaimers continuously extract dust and debris and return properly sized, usable media to the blast system. The standard reclaimer handles all non-metallic media. For metallic media, choose from the two PM models. The reclaimer, mounted atop the pressure vessel, automatically refills the blast system with clean, recycled media. The versatile design of our larger reclaimers lets you quickly adapt the system to your changing needs.



## TUNGSTEN CARBIDE BLAST NOZZLE

The standard No. 3 tungsten carbide nozzle is perfect for most blasting, while the optional boron carbide nozzles stand up to hundreds of hours of blasting with aluminum oxide or other aggressive abrasives.

## NOZZLES (AIR CONSUMPTION)

Nozzle	Nozzle Orifice	CFM at 80 psi	M <sup>3</sup> /Min at 5.5 BAR	CFM at 100 psi	M <sup>3</sup> /Min at 7 BAR
No. 3	3/16"	38	1,08	45	1,3

BNP-65P cabinets come with a No. 3 tungsten carbide nozzle.

## METALLIC MEDIA

For steel media applications, the reclaimer, flex hose, and adaptors must be appropriately sized. Rubber curtains are recommended. "M" in cabinet model signifies cabinet is steel-ready (see below). Contact your local distributor for field conversion information.

## DUST COLLECTORS

**ZERO RP dust collectors trap 99.7% of dust particles down to 0.5 micron.**

**CDC-1:** CDC-1 dust collectors come in three sizes; 300 cfm, 600 cfm, and 900 cfm. The cartridges are pulse-cleaned by pressing the manual pulse-valve to clear the filter of dust. Dimensions are 34" wide, 42" deep (with motor housing) and 94" high. MAH is 11 ft for the 300 cfm and 600 cfm units and 12-1/2 ft for the 900 cfm unit.

**RPH-2:** The RPH-2 has a filter area of 470 sq ft; the RPH-3 has a 705 sq ft filter area. Both have a built-in hopper to minimize dust-handling. At each pulse, dust falls first into the hopper and then into a disposal drum or bag beneath it. The operator never handles the dust—an important safety feature. RPH dust collector dimensions are: 56" wide (with motor housing) by 36" deep by 115" high. The RPH is designed to allow outdoor installation. The MAH for the RPH collectors is 15 ft 2 inch.

## ELECTRICAL

**600 CFM:** (17 m<sup>3</sup>/m) 1HP, 115V, 1PH, 60HZ, (.75KW, 220V, 1PH, 50HZ); Also available with three phase motor. Specify 230 v or 460v

**900 CFM:** (25 m<sup>3</sup>/m) 2HP, 220V, 3PH, 60HZ, (1.5KW, 220V, 3PH, 50HZ)

## ORDERING INFORMATION

Model-Recl-D/C	Conv. Single Phase	Conv. Three Phase	Ship Wt. lb (kg)
BNP-65P-600 CDC	28094		1,140 (517)
BNP-65P-600 RPH	24784		2,100 (953)
BNP-65PM-900 CDC		28095	1,290 (585)
BNP-65PM-900 RPH		27451	2,100 (953)