



★★★★
MADE IN THE
USA

BNP 55 SUCTION BLAST CABINET

EFFICIENTLY AND AFFORDABLY CLEAN, DEBURR, PEEN, OR FINISH PARTS

IMPORTANT: For safe, efficient blasting, read and follow the operations manual and seek training for everyone who will use this equipment.



BNP blast cabinets deliver efficient, affordable media blasting to clean, peen, deburr, or finish parts.

SAFETY

- Full-length, neoprene-on-fabric gloves resist wear and protect operator.
- Safety interlocks interrupt blasting if either door is opened.
- Adjustable, heavy-duty chromed latches seal doors tight through years of service.

PRODUCTIVITY

- Unique Air-Logic system (pilot-actuated) to maximize air flow to the blast gun.
- Double-wall, sound-insulated doors, with industrial quality lift-off hinges.
- 14-gauge steel all-welded construction, with precisely formed bends, forms a rigid, long-lasting cabinet shell.

CONVENIENCE

- Tilt-out window, for tool-free glass changes in minutes.

- Pressure regulator, gauge, and electric switch mounted within easy reach.
- Built-in blow-off gun helps keep dust inside the cabinet, not on your floor.

COMMON APPLICATIONS

- Remove rust, mill scale, heat scale, and carbon buildup from metals.
- Strip paint, powder coating, plating, and anodizing from parts for rework.
- Eliminate burrs, parting lines, flashings, and other defects from castings and injection-molded parts.
- Extract residual sand from castings.
- Beautify steel, stainless steel, aluminum, brass and other metals with a uniform matte finish.
- Etch artwork and lettering into glass, stone, plastics, metal and other materials.
- Clean release agents and material buildup from molds.

POPULAR ACCESSORIES

- Adjustable Gun Mount
- Adjustable Vortex Tube
- Alox Kit
- Curtains (black or white)
- HEPA filter
- Manometer Kit
- Noise reduction arm port baffles
- Timed Door Release
- 20" Dia. Turntable
- Table/tray with internal track
- Two Gallon Tumble Basket

BNP BLAST GUN WITH CERAMIC NOZZLE

The BNP blast gun sets the industry standard for performance, versatility, and durability. The ergonomic grip reduces operator fatigue and increases productivity. The standard ceramic

COMPLETE SYSTEM

Space required depends on configurations, options and work flow. Allow space for operator and maintenance access. See maintenance access height (MAH) below.

Model illustrated: BNP 55S-600 CDC-1
600 CFM Reclaimer and CDC-1 Reverse-pulse dust collector

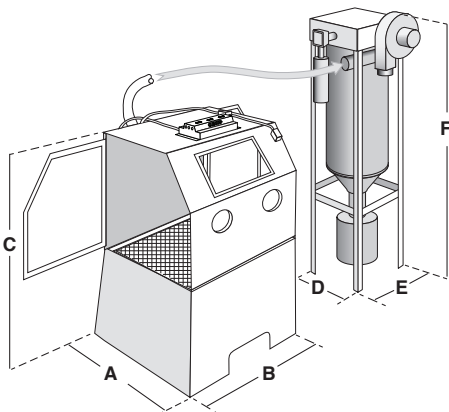
BNP 55S-600

- A - 42.5" deep*
- B - 48" wide
- C - 74" high

CDC-1

- D - 42" deep
- E - 34" wide
- F - 94" high

*(includes rear-mounted reclaimer)



CABINET

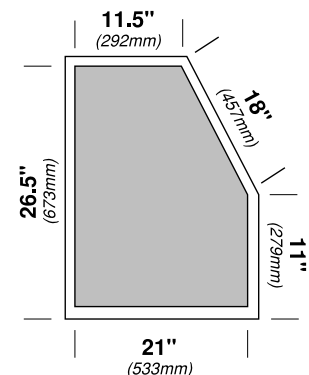
Working Chamber (6012S)

- 42" wide (1067 mm)
- 23" deep (584 mm)
- 30" high (762 mm)

Window (safety glass)

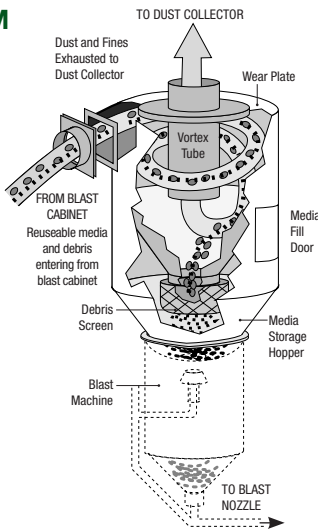
- 19.5" wide (495 mm)
- 12.5" high (318 mm)

Door Opening



BLAST RECLAIM SYSTEM

Our exclusive media reclaimers continuously extract dust and debris and return properly sized, usable media to the blast system. The standard reclaimer handles all non-metallic media. For metallic media, choose from the two PM models. The reclaimer, mounted atop the pressure vessel, automatically refills the blast system with clean, recycled media. The versatile design of our larger reclaimers lets you quickly adapt the system to your changing needs.



nozzle is perfect for bead blasting, while the optional tungsten or boron carbide nozzles stand up to hundreds of hours of blasting.

BNP BLAST GUN (AIR CONSUMPTION)

BNP Gun	Nozzle Orifice	Air Jet	CFM at 80 psi	M ³ /Min at 5.5 BAR	Minimum Reclaimer
No. 4	5/16"	1/8"	21	0,60	300 cfm (8,5 m ³ /m)
No. 5	5/16"	5/32"	32	0,90	300 cfm (8,5 m ³ /m)
No. 6	3/8"	3/16"	48	1,35	600 cfm (17 m ³ /m)
No. 7	7/16"	7/32"	62	1,76	600 cfm (17 m ³ /m)
No. 8	1/2"	1/4"	85	2,41	600 cfm (17 m ³ /m)

BNP 55 cabinets come with a No. 5 BNP gun. Consult distributor for advice regarding appropriate recovery size.

DUST COLLECTORS

ZERO RP dust collectors trap 99.7% of dust particles down to 0.5 micron.

CDC-1: CDC-1 dust collectors come in three sizes; 300 cfm, 600 cfm, and 900 cfm. The cartridges are pulse-cleaned by pressing the manual pulse-valve to clear the filter of dust. Dimensions are 34" wide, 42" deep (with motor housing) and 94" high. MAH is 11 ft for the 300 cfm and 600 cfm units and 12-1/2 ft for the 900 cfm unit.

ELECTRICAL

300 CFM: (8,5 m³/m) 1/2HP, 115V, 1PH, 60HZ, (.37KW, 220V, 1PH, 50HZ); available with single phase motors only.

600 CFM: (17 m³/m) 1HP, 115V, 1PH, 60HZ, (.75KW, 220V, 1PH, 50HZ); available with either single phase or three phase motors.

For three phase motors, specify 230v or 460v.

Other motors and electrical configurations are available.

ORDERING INFORMATION

Model Number	Reclaim CFM (m ³ /m)	Dust Coll.	Single Phase	Three Phase	Ship Wt. lb (kg)
BNP-55S-300 CDC	300 (8,5)	CDC-1	28087		674 (306)
BNP-55S-600 CDC	600 (17)	CDC-1	28088	28089	802 (364)